



Original irrigation tubings

for W&H surgical drive units



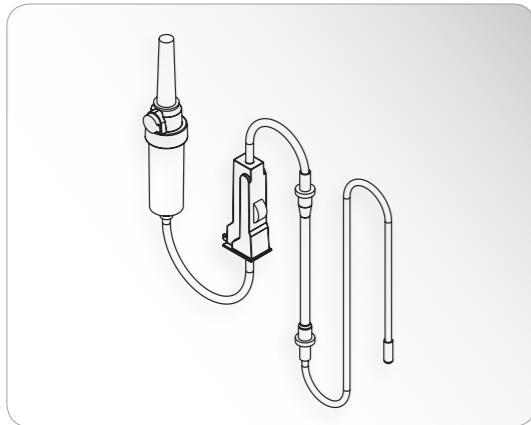
madeo

- M-UK1010 (110 V)
- M-UK1015 (115 V)
- M-UK1023 (230 V)

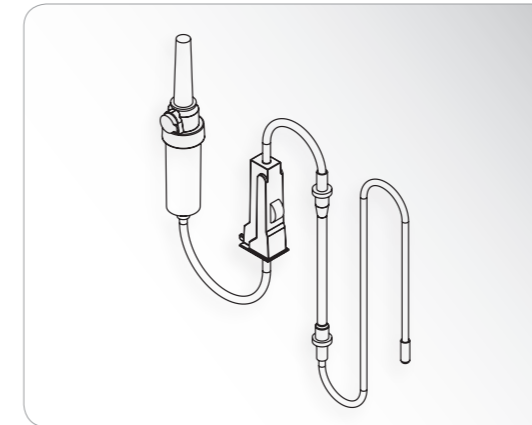


implantmed PLUS

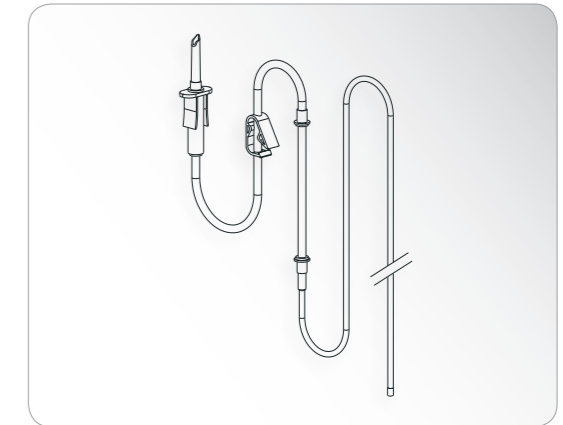
- SI-1010 (110 V)
- SI-1015 (115 V)
- SI-1023 (230 V)



04364100 (6 pcs, 3.8 m)
Disposable irrigation tubing set
for motor with 3.5 m cable



04363600 (6 pcs, 2.2 m)
Disposable irrigation tubing set
for motor with 1.8 m cable
04364100 (6 pcs, 3.8 m)
Disposable irrigation tubing set
for motor with 3.5 m cable



04719400 (1 pcs, 2.2 m)
Sterilizable irrigation tubing set
for motor with 1.8 m cable





Original irrigation tubings

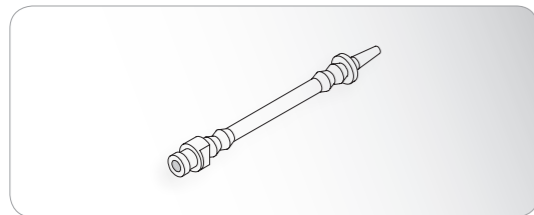
for W&H surgical drive units



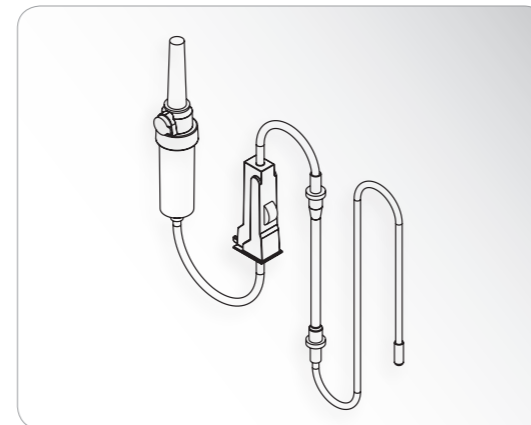
implantmed
SI-915 (115 V)
SI-923 (230 V)



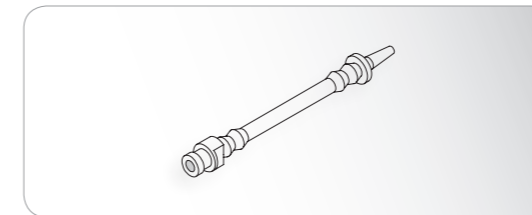
implantmed CLASSIC
SI-915 (115 V)
SI-923 (230 V)



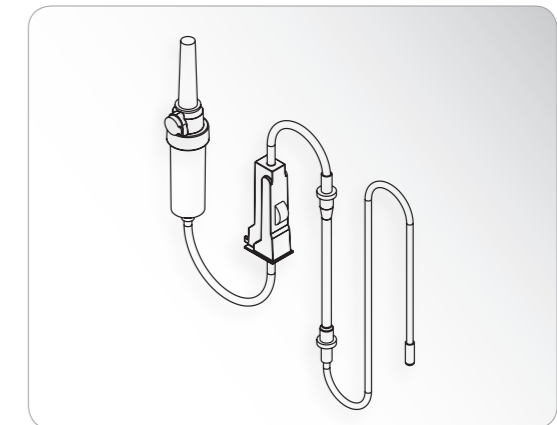
04013900 (1 pcs)
Pump tubing with nipple



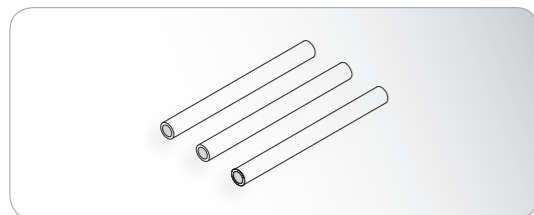
04363600 (6 pcs, 2.2 m)
Disposable irrigation tubing set
for motor with 1.8 m cable



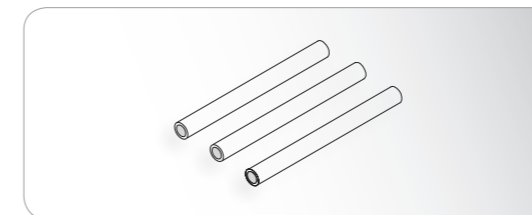
04013900 (1 pcs)
Pump tubing with nipple



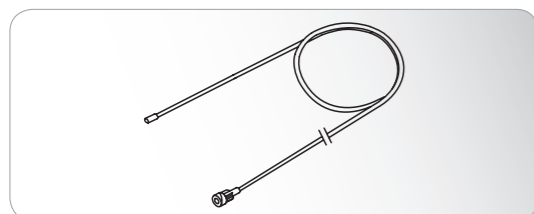
04363600 (6 pcs, 2.2 m)
Disposable irrigation tubing set
for motor with 1.8 m cable



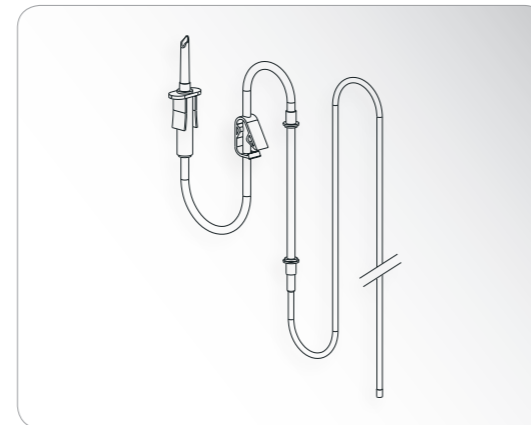
04014000 (3 pcs, 85 mm)
Pump tubing



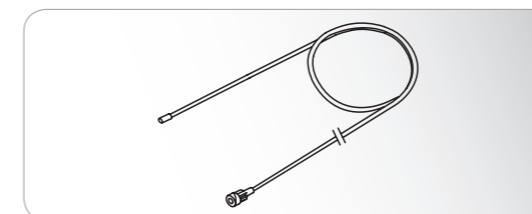
04014000 (3 pcs, 85 mm)
Pump tubing



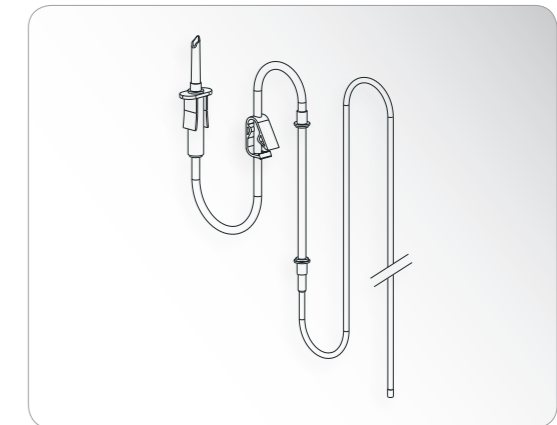
00929300 (10 pcs, 2.2 m)
Disposable irrigation tubing set
for motor with 1.8 m cable



04719400 (1 pcs, 2.2 m)
Sterilizable irrigation tubing set
for motor with 1.8 m cable



00929300 (10 pcs, 2.2 m)
Disposable irrigation tubing set
for motor with 1.8 m cable



04719400 (1 pcs, 2.2 m)
Sterilizable irrigation tubing set
for motor with 1.8 m cable





Original irrigation tubings

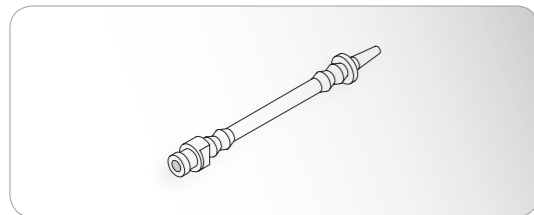
for W&H surgical drive units



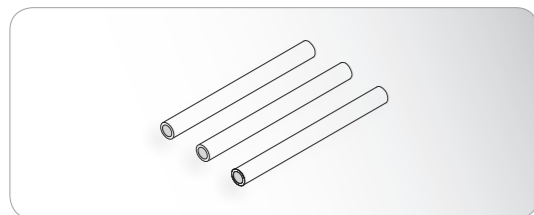
implantmed
SI-915 [115 V, green / blue]
SI-923 [230 V, green / blue]



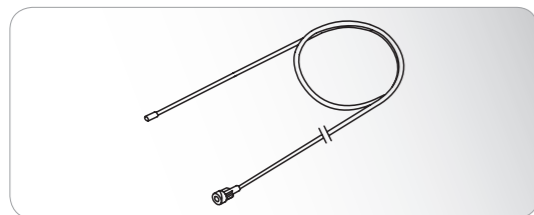
implantmed
SI-95 [115 V]
SI-95 [230 V]



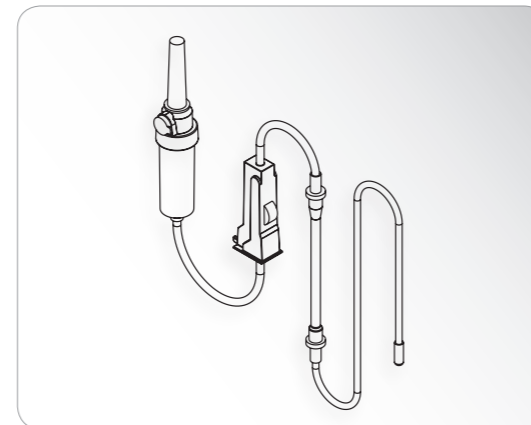
04013900 (1 pcs)
Pump tubing with nipple



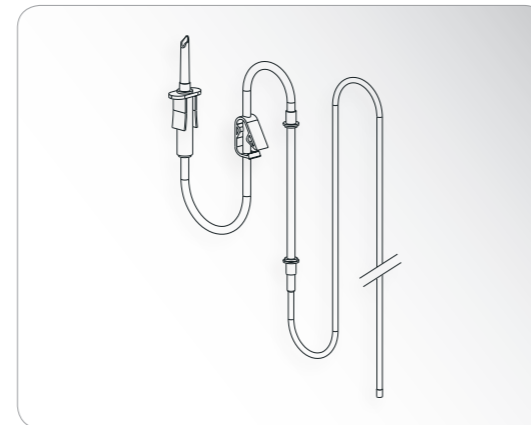
04014000 (3 pcs, 85 mm)
Pump tubing



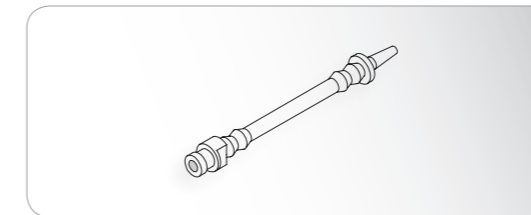
00929300 (10 pcs, 2.2 m)
Disposable irrigation tubing
for motor with 1.8 m cable



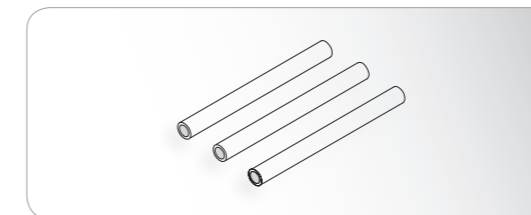
04363600 (6 pcs, 2.2 m)
Disposable irrigation tubing set
for motor with 1.8 m cable



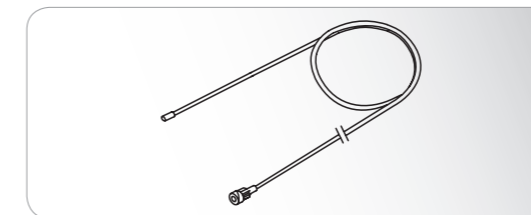
04719400 (1 pcs, 2.2 m)
Sterilizable irrigation tubing set
for motor with 1.8 m cable



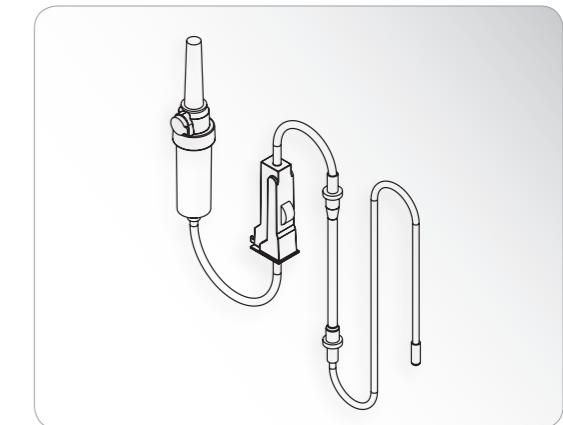
04013900 (1 pcs)
Pump tubing with nipple



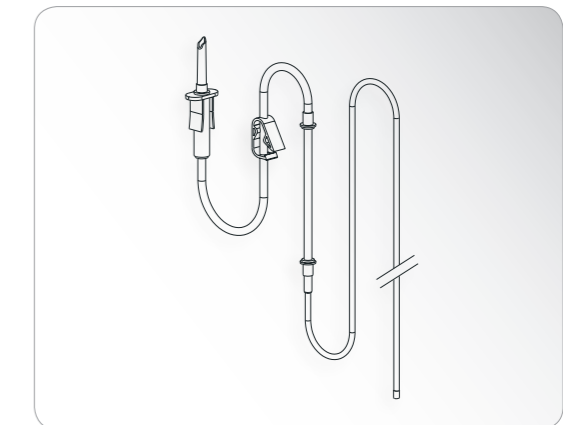
04014000 (3 pcs, 85 mm)
Pump tubing



00929300 (10 pcs, 2.2 m)
Disposable irrigation tubing
for motor with 1.8 m cable
00929400 (10 pcs, 3.8 m)
Disposable irrigation tubing
for motor with 3.5 m cable



04363600 (6 pcs, 2.2 m)
Disposable irrigation tubing set
for motor with 1.8 m cable
04364100 (6 pcs, 3.8 m)
Disposable irrigation tubing set
for motor with 3.5 m cable



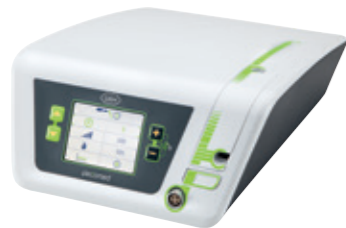
04719400 (1 pcs, 2.2 m)
Sterilizable irrigation tubing set
for motor with 1.8 m cable





Original irrigation tubings

for W&H surgical drive units



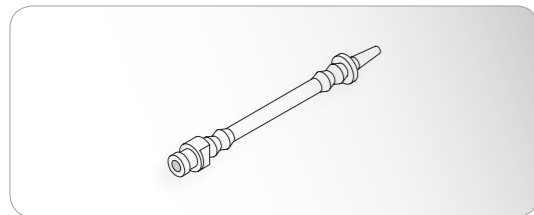
piezomed

SA-320 (handpiece with 1.8 m cable)
SA-320 (handpiece with 3.5 m cable)

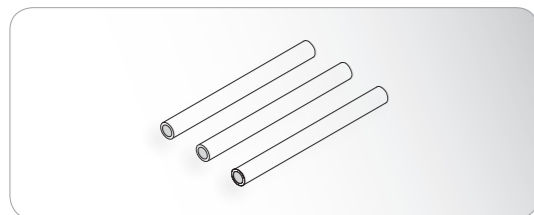


elcomed

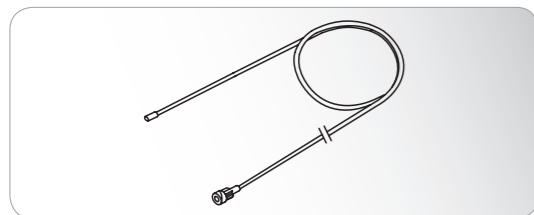
SA-310 with / without documentation (motor with 1.8 m cable)
SA-310 with / without documentation (motor with 3.5 m cable)



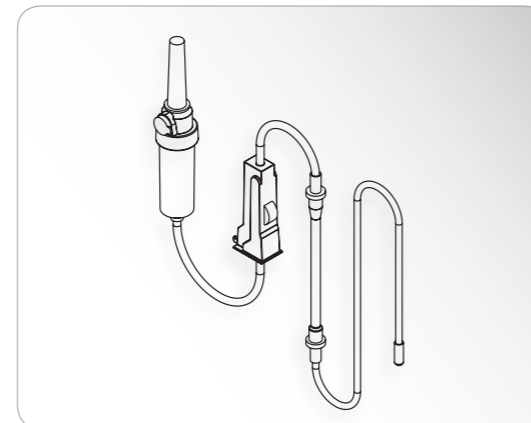
04013900 (1 pcs)
Pump tubing with nipple



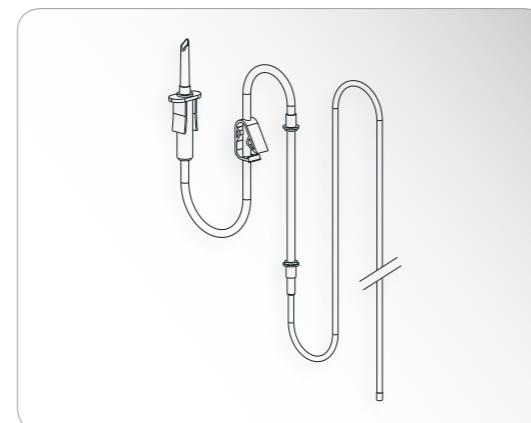
04014000 (3 pcs, 85 mm)
Pump tubing



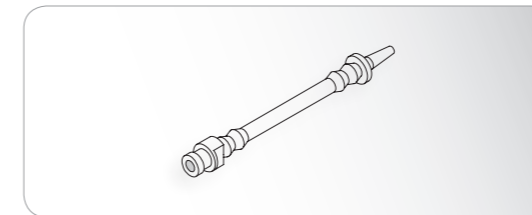
00929300 (10 pcs, 2.2 m)
Disposable irrigation tubing
for motor with 1.8 m cable
00929400 (10 pcs, 3.8 m)
Disposable irrigation tubing
for motor with 3.5 m cable



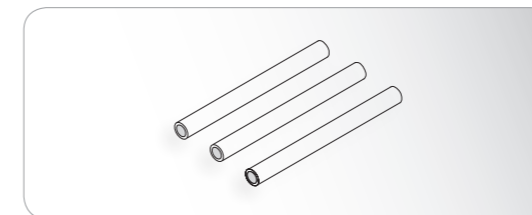
04363600 (6 pcs, 2.2 m)
Disposable irrigation tubing set
for motor with 1.8 m cable
04364100 (6 pcs, 3.8 m)
Disposable irrigation tubing set
for motor with 3.5 m cable



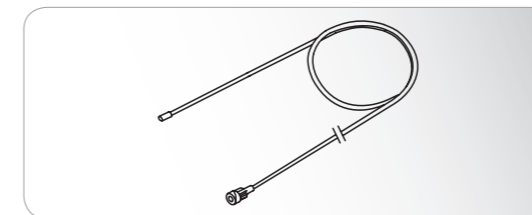
04719400 (1 pcs, 2.2 m)
Sterilizable irrigation tubing set
for motor with 1.8 m cable



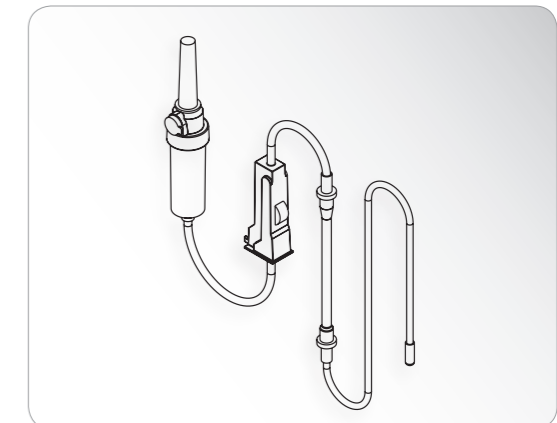
04013900 (1 pcs)
Pump tubing with nipple



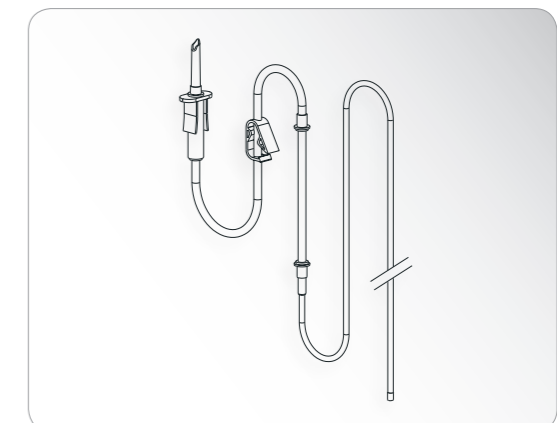
04014000 (3 pcs, 85 mm)
Pump tubing



00929300 (10 pcs, 2.2 m)
Disposable irrigation tubing
for motor with 1.8 m cable
00929400 (10 pcs, 3.8 m)
Disposable irrigation tubing
for motor with 3.5 m cable



04363600 (6 pcs, 2.2 m)
Disposable irrigation tubing set
for motor with 1.8 m cable
04364100 (6 pcs, 3.8 m)
Disposable irrigation tubing set
for motor with 3.5 m cable



04719400 (1 pcs, 2.2 m)
Sterilizable irrigation tubing set
for motor with 1.8 m cable





Original irrigation tubings

for W&H surgical drive units



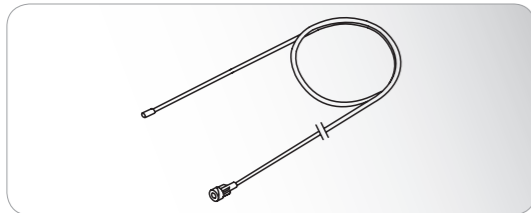
elcoMED

SA-200 with / without calibration (115 V, motor with 1.8 or 3.5 m cable)
SA-200 with / without calibration (230 V, motor with 1.8 or 3.5 m cable)

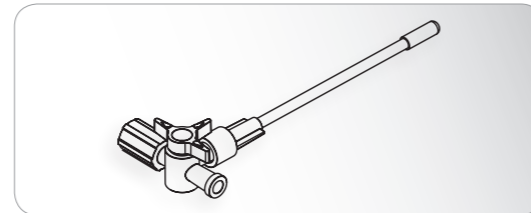


elcomed 100

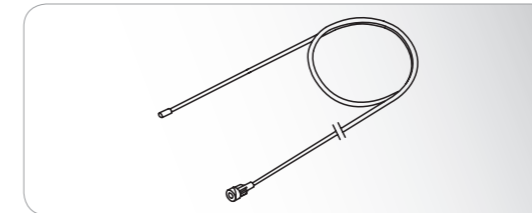
9925, Type 100
9926, Type 200



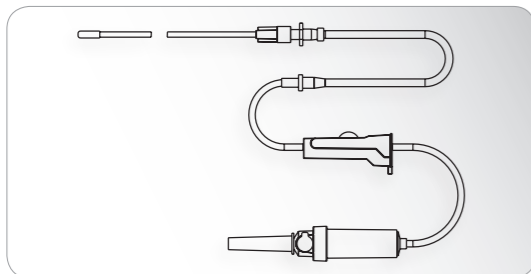
00929300 (10 pcs, 2.2 m)
Disposable irrigation tubing
for motor with 1.8 m cable
00929400 (10 pcs, 3.8 m)
Disposable irrigation tubing
for motor with 3.5 m cable



04366300 (4 pcs, 2.2 m)
Disposable Y-switch



00929300 (10 pcs, 2.2 m)
Disposable irrigation tubing
for motor with 1.8 m cable
00929400 (10 pcs, 3.8 m)
Disposable irrigation tubing
for motor with 3.5 m cable



04365300 (6 pcs, 2.2 m)
Disposable irrigation tubing set
for motor with 1.8 m cable
04365100 (6 pcs, 3.8 m)
Disposable irrigation tubing set
for motor with 3.5 m cable

